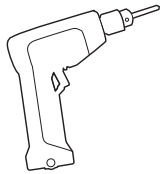


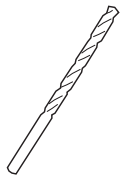
STRATA KITCHENS

TOOLS NEEDED/

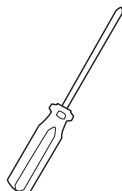
POWER DRILL



3MM DRILL BIT



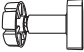
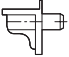

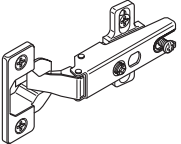



PHILLIPS HEAD SCREW DRIVER



THIS PACK INCLUDES/

BASE CABINET TYPE/

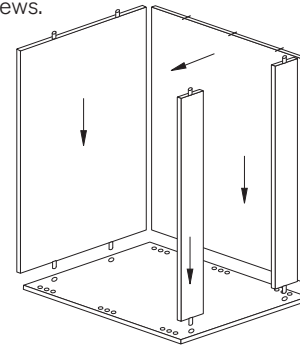
	150MM BASE CABINET	300-450MM BASE CABINET	600-900MM BASE CABINET
	04	08	08
35MM LEG FIX SCREW	04	08	08
50MM CABINET FIX SCREW	16	18	20
28MM HEAD HOLE SCREW	04	04	04
60MM HEAD HOLE SCREW (USED IN THE INSTALLATION)	04	04	04
15MM KICKBOARD SCREW (USED IN THE INSTALLATION)	04	04	04
	08	08	08
WHITE COVER CAP (USED IN THE INSTALLATION)	08	08	08
	02	04	04
ADJUSTABLE LEGS	02	04	04
	04	04	04
ADJUSTABLE SHELF SUPPORT	04	04	04
	08	08	08
DOWEL PIECES	08	08	08
	02	02	04
110° HINGE & PLATE	02	02	04
	01	02	02
DOOR BUFFER	01	02	02
# x 525MM SHELF	01	01	01
# x 540MM BOTTOM	01	01	01
# x 720MM BACK	01	01	01
# x 720MM END	02	02	02
# x 77MM TOP RAILS (FRONT & REAR)	02	02	02

BASE CABINET/ INSTRUCTIONS

HOW TO ASSEMBLE/ STEPS 01-04 OF 04

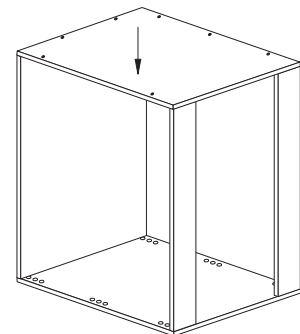
STEP ONE/01

Place side panel on a flat surface (adjustable shelf holes facing up) and edge strip facing the front. Join the back, bottom and two top rails using the location timber dowels and screw fix through the corresponding holes in the side panel with 50mm screws.



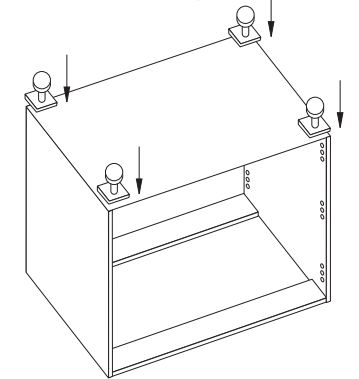
STEP TWO/02

Place the other side panel on top of the secured cupboard using location dowels and fix screw through corresponding holes with 50mm screws.



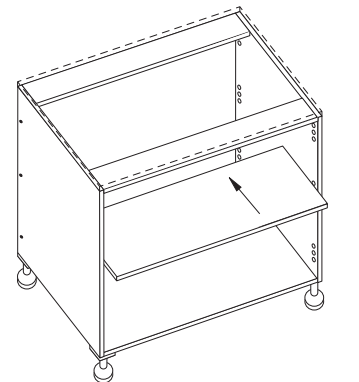
STEP THREE/03

Turn cupboard over, tap the leg plates into corresponding holes and secure with 2 x 35mm screws. Wind legs out so that the overall height is 150mm. Push leg into leg plates.



STEP FOUR/04

Turn cupboard over carefully and stand cupboard on its legs. Fit adjustable shelf supports in holes on both ends, at your chosen height. Fit shelf.



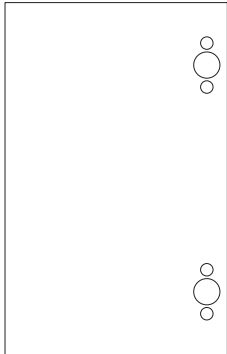
STRATA KITCHENS

HOW TO MOUNT DOORS/ STEPS 01-06 OF 06

STRATAKITCHENS.COM.AU/
INSTRUCTIONS

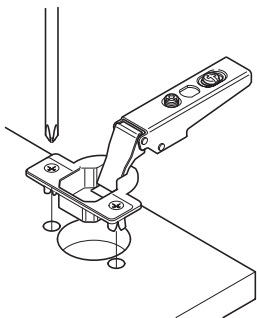
STEP ONE/01

Lay the door onto a solid protected surface, with the routed hinge holes facing upwards.



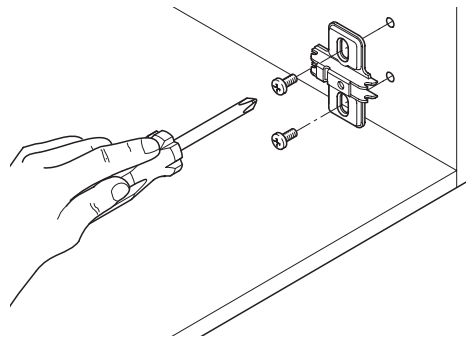
STEP TWO/02

Insert the hinges into the routed holes on the back of the door and fix in place by tightening the hinge screws located either side of the hinge cup. Repeat this step for other doors and hinges, as required.



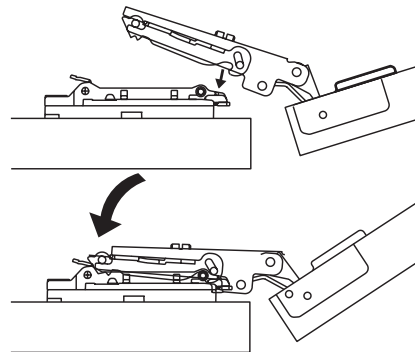
STEP THREE/03

Attach the hinge mounting plate to the inside of the cupboard panel, ensuring that the mounting plate aligns with the hinge placement on the door.



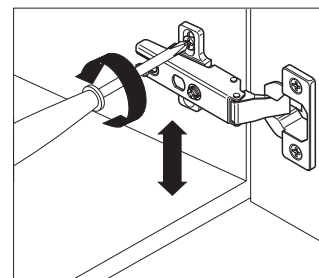
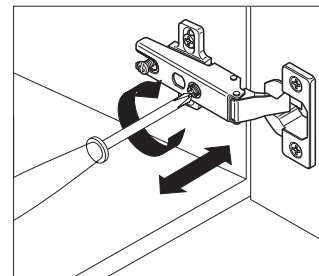
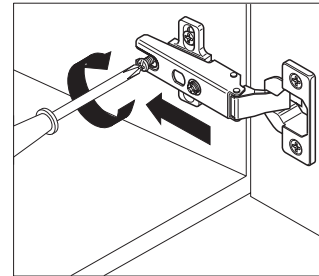
STEP FOUR/04

Attach the door to the mounting plate by pressing the hinge arm onto the mounting plate and ensure that the arm clicks into place.



STEP FIVE/05

Adjust doors via the hinge arm and plate to obtain correct gaps.



STEP SIX/06

Fix the handle/knob to the door at your desired location. Note: Handles are sold separately.