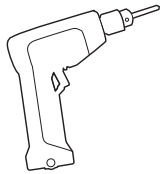


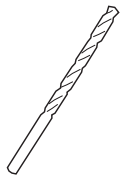
STRATA KITCHENS

TOOLS NEEDED/

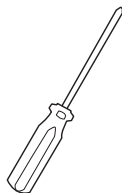
POWER DRILL



3MM DRILL BIT





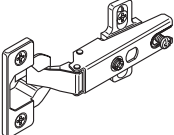


PHILLIPS HEAD SCREW DRIVER



THIS PACK INCLUDES/

BASE CORNER CABINET TYPE/

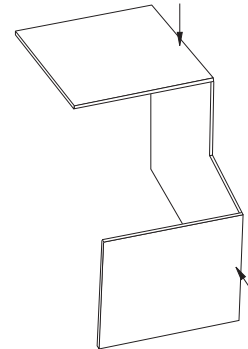
	600MM WALL		
	35MM LEG FIX SCREW	10	
	50MM CABINET FIX SCREW	34	
	28MM HEAD HOLE SCREW	08	
	60MM HEAD HOLE SCREW	08	
	15MM KICKBOARD SCREW	04	
	WHITE COVER CAP	16	
	ADJUSTABLE LEGS	05	
	ADJUSTABLE SHELF SUPPORT	10	
	DOWEL PIECES	11	
	170° HINGE & PLATE	02	
	PIE CUT HINGE & PLATE	02	
	DOOR BUFFER	01	
	DOVE TAIL CONNECTOR	02	
	# x SHELF	01	
	# x BOTTOM	01	
	# x BACK	02	
	# x END	02	
	# x TOP	02	

BASE CORNER CABINET/INSTRUCTIONS

HOW TO ASSEMBLE/ STEPS 01-04 OF 04

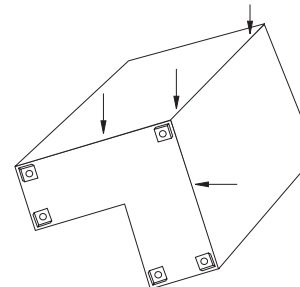
STEP ONE/01

Place the base panel on edge. Join the two end panels and top panel using locating dowels and 50mm fixing screws. Ensure that the PVC facing strip is facing the front.



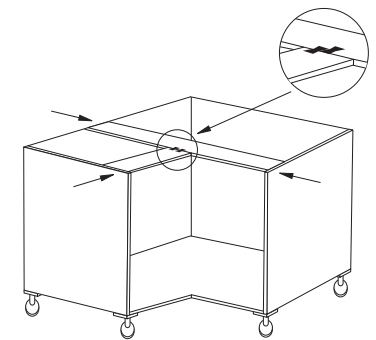
STEP TWO/02

Turn cupboard over and fix back panels into place using 50mm fixing screws. Whilst in this position, tap leg plates into corresponding holes and secure with 3mm screws. Note: 1 leg plate does not have dowels and fixes to the back corner. Wind legs out so overall height is 150mm. Push legs into plates.



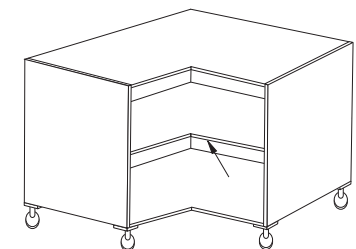
STEP THREE/03

Turn cupboard over carefully and stand on its legs. Fix corresponding top tail components with 2 x dove tail joiners. Fix the top tails with 50mm screws through end panels and back panels.



STEP FOUR/04

Fit cabinet to internal 90° wall through both back panels with 60mm head hole screws and finish with cover caps. Fit shelf at chosen height. For installation of this cabinet, refer to the Strata Kitchens Installation Guide available online at www.stratakitchens.com.au



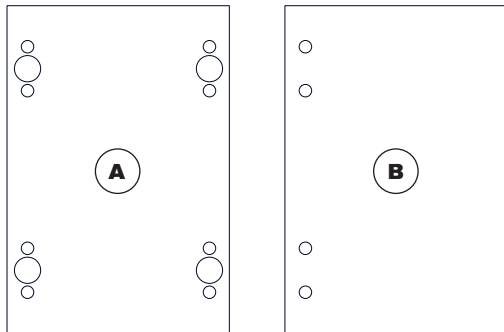
STRATA KITCHENS

HOW TO MOUNT DOORS/ STEPS 01-06 OF 06

STRATAKITCHENS.COM.AU/
INSTRUCTIONS

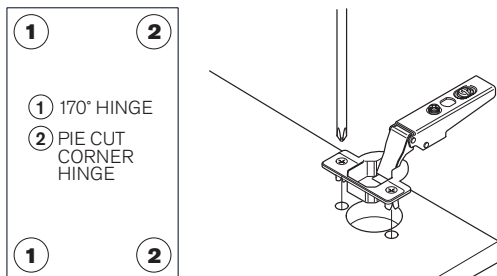
STEP ONE/01

The corner door application is made up of 2 doors. Door A is identified by 4 x Ø 35mm holes for the hinges, and door B by 4 x Ø 5mm holes for the mounting plates.



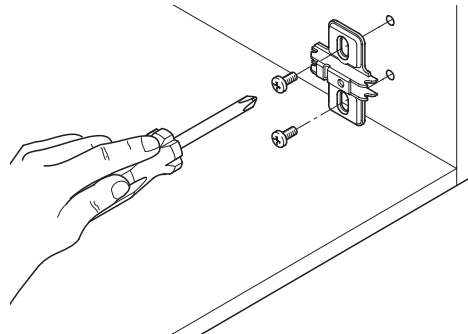
STEP TWO/02

Identify 2 x 170° hinges and 2 x pie cut corner hinges from the hardware pack and attach hinges to inside of door panel. Position body of hinge in 35mm diameter hole and screw in place using hinge screws either side of hinge cup. Note placement of hinge types 1 and 2:



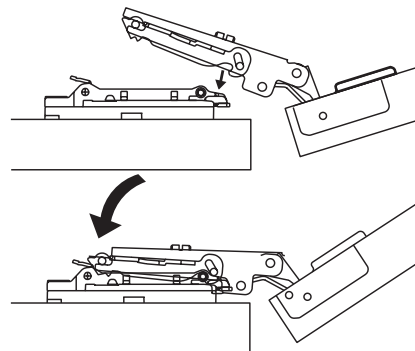
STEP THREE/03

Attach mounting plates to door panel B at corresponding mounting plate holes. Also attach mounting plate to inside cupboard panel, ensuring that the mounting plate aligns with hinge placement on the door.



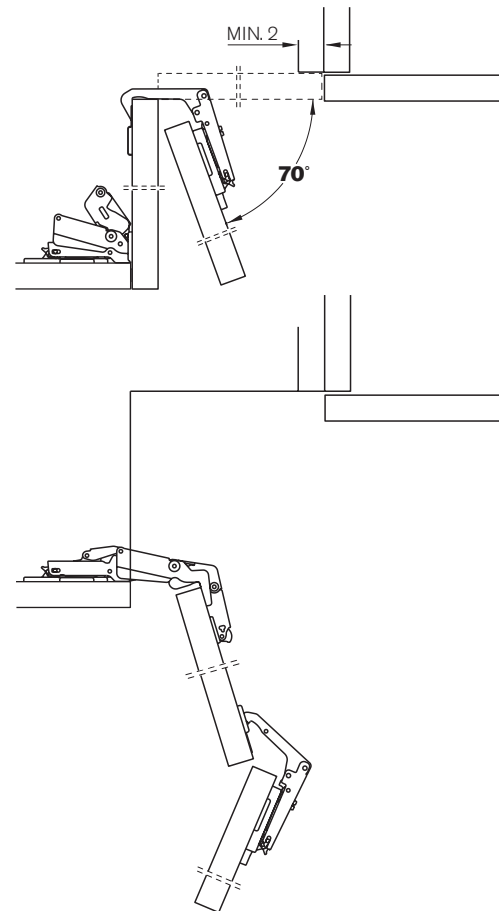
STEP FOUR/04

Attach door A to mounting plate using the 170° hinge, by pressing the hinge arm onto the mounting plate and ensure that the arm 'clicks' into place.



STEP FIVE/05

Attach door B to corresponding pie cut corner hinge arms and ensure that the arms 'click' into place.



STEP SIX/06

Adjust doors via the hinge arm and plate to obtain correct gaps.