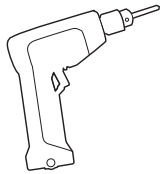


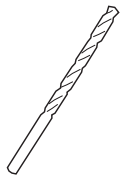
STRATA KITCHENS

TOOLS NEEDED/

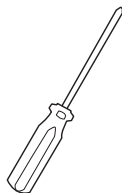
POWER DRILL



3MM DRILL BIT



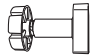




PHILLIPS HEAD SCREW DRIVER



THIS PACK INCLUDES/

DRAWER CABINET TYPE/

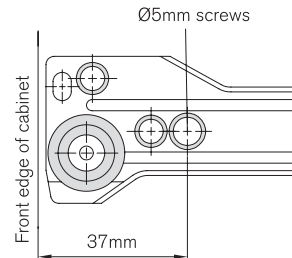
	450MM DRAWER BASE CABINET	900MM DRAWER BASE CABINET
	08	08
35MM LEG FIX SCREW		
50MM CABINET FIX SCREW	20	20
28MM HEAD HOLE SCREW	04	04
15MM DRAWER SCREWS	40	20
60MM HEAD HOLE SCREW (USED IN THE INSTALLATION)	04	04
15MM KICKBOARD SCREW (USED IN THE INSTALLATION)	04	04
5MM DRAWER RUNNER SCREWS	16	08
	08	08
WHITE COVER CAP (USED IN THE INSTALLATION)		
	04	04
ADJUSTABLE LEGS & LEG PLATES		
	08	08
DOWEL PIECES		
	04	02
METAL DRAWER SET		
# x 540MM BOTTOM	01	01
# x 720MM BACK	01	01
# x 720MM SIDE	02	02
# x DRAWER BOTTOM	04	02
# x DRAWER BACK	04	02
# x 77MM TOP RAILS (FRONT & REAR)	02	02

DRAWER CABINET/ INSTRUCTIONS

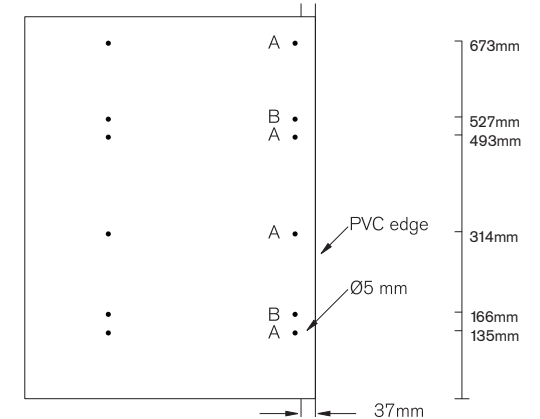
HOW TO ASSEMBLE/ STEPS 01-03 OF 05

STEP ONE/01

Identify the side panels and place onto a flat surface, with the 5mm holes facing upwards (shown below). The front edge is identified with a PVC edge strip and the first row of holes 37mm inwards of the front edge. Fix the drawer runners using the 5mm screws to the side panel at the correct height (Position A= 450mm Drawer Cabinet, Position B= 900mm Drawer Cabinet).

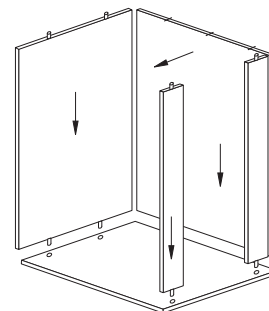


Note: measurements from the bottom edge



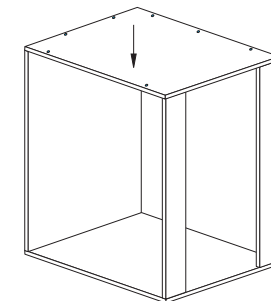
STEP TWO/02

Place one side panel on to a flat surface with the edge strip facing the front. Join the back, bottom and the two top rail panels, using the location timber dowels and screw fix through the corresponding holes using 50mm screws.



STEP THREE/03

Place the other side panel on top of the secured cupboard using the location timber dowels and screw fix through the corresponding holes using the 50mm screws.



STRATA KITCHENS

HOW TO ASSEMBLE/ STEPS 04-05 OF 05

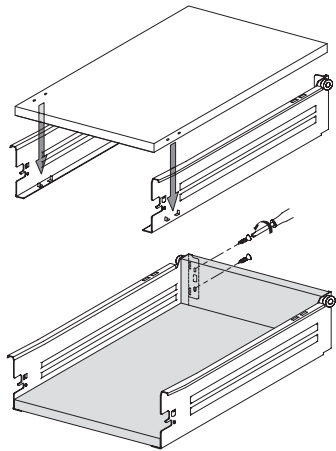
STEP FOUR/04

Drawer Assembly

Identify the back and bottom drawer panels and align with the metal sides of the drawers. The bottom panel has 2 small holes that fit over 2 corresponding pins on the metal drawer base rails. Fix the two panels through the holes in the metal sides with the 15mm screws provided.

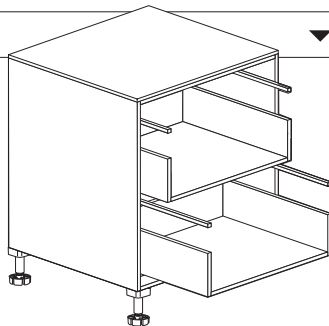
450MM DRAWER CABINET

900MM DRAWER CABINET



STEP FIVE/05

Turn cupboard over carefully and stand cupboard on its legs. Insert the individual drawers into the runners. For installation of this cabinet, refer to the Strata Kitchens Installation guide, available online at www.stratakitchens.com.au.



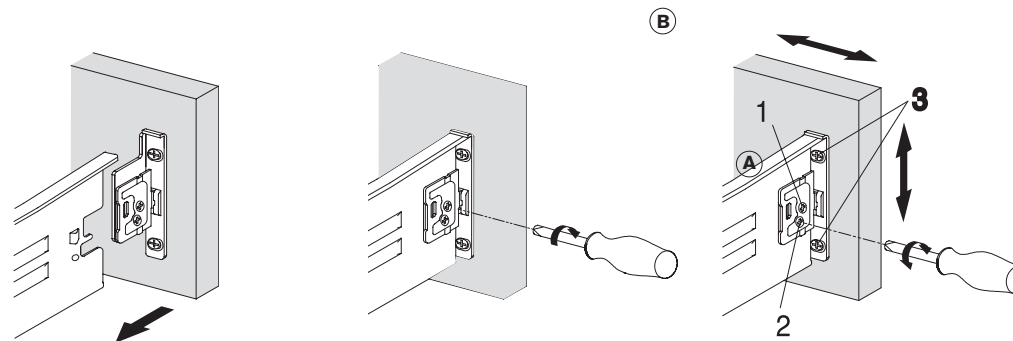
HOW TO MOUNT DRAWER FRONTS/ STEPS 01-02 OF 02

STRATAKITCHENS.COM.AU/ INSTRUCTIONS

STEP ONE/01

Identify the mounting holes on the back of the drawer fronts and fix the LH & RH brackets accordingly with 15mm screws. Loosen screw 1 (as per diagram) and slide the bracket onto the

drawer side. Tighten as required and adjust drawer fronts when all have been mounted according to the diagram below.



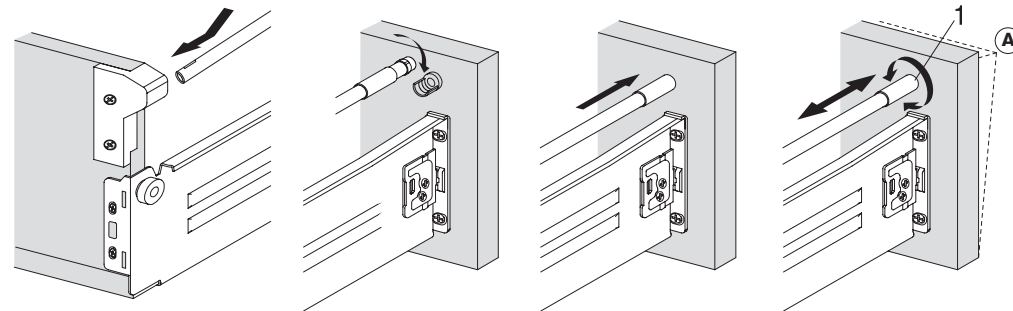
A/ Height adjustment/
Loosen screw 1 slightly, adjust acentric screw 2. Adjustment range + 1.8 mm, re-tighten screw 1.

B/ Side adjustment/
Loosen screw 3 slightly. Move front into required position. Adjustment range + 1.5mm and re-tighten screw 3.

STEP TWO/02/900MM DRAWER UNITS ONLY

For the 900mm drawers, fix the gallery rail bracket to the corresponding hole on the back of the drawer fronts. Fit the gallery rail as shown in

the diagram below. The gallery rails can also be adjusted to ensure the drawer fronts are aligned.



A/ Tilt adjustment/
Pull out the cover sleeve 1 slightly. Turn rail for tilt adjustment and push the cover sleeve 1 back after adjustment.