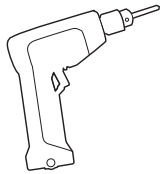


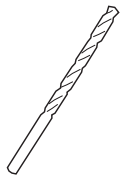
STRATA KITCHENS

TOOLS NEEDED/

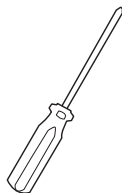
POWER DRILL



3MM DRILL BIT



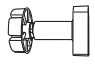

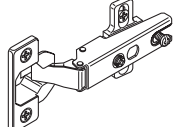


PHILLIPS HEAD SCREW DRIVER



THIS PACK INCLUDES/

PANTRY TYPE/

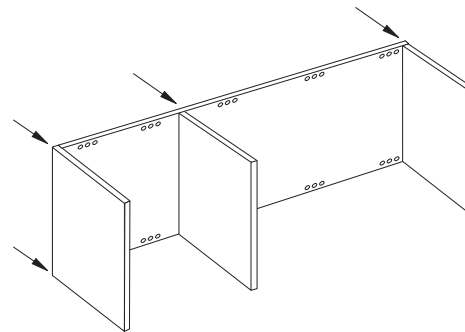
	450-600MM PANTRY CABINETS	900MM PANTRY CABINETS
 35MM LEG FIX SCREW 50MM CABINET FIX SCREW 28MM HEAD HOLE SCREW 60MM HEAD HOLE SCREW (USED IN THE INSTALLATION) 15MM KICKBOARD SCREW (USED IN THE INSTALLATION)	08 26 08 04 04	08 28 08 04 04
 WHITE COVER CAP (USED IN THE INSTALLATION)	12	12
 ADJUSTABLE LEGS	04	04
 ADJUSTABLE SHELF SUPPORT	16	16
DOWEL PIECES	08	08
 110° HINGE & PLATE	04	08
DOOR BUFFER	01	02
# x 525MM SHELF # x 525MM FIXED SHELF # x 540MM TOP # x 540MM BOTTOM # x 2350MM BACK # x 2350MM SIDE	04 01 01 01 01 02	04 01 01 01 01 02

TALL PANTRY CABINET/INSTRUCTIONS

HOW TO ASSEMBLE/ STEPS 01-04 OF 06

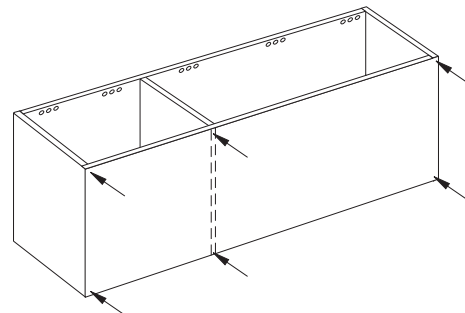
STEP ONE/01

Place side panel on a flat surface (adjustable shelf holes facing inwards) and edge strip facing upwards. Join the bottom, fixed shelf and top panels, using the timber dowels and 50mm screws through the corresponding holes.



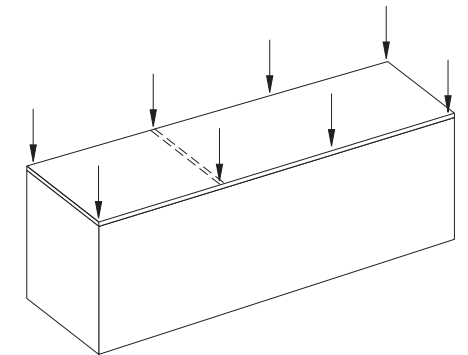
STEP TWO/02

Place the other side panel against the bottom, fixed shelf and top panels, with the adjustable holes facing inwards. Align using the timber dowels and screw fix through the corresponding holes with the 50mm screws.



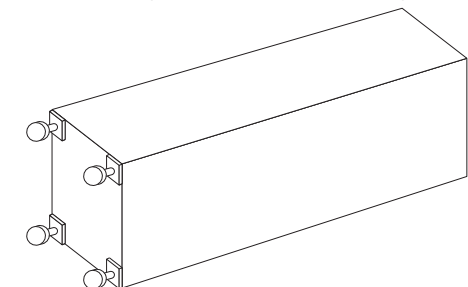
STEP THREE/03

Turn the cabinet over so that the front edge strips are now facing the ground. Place the back panel in place and screw fix through the corresponding holes with 50mm screws.



STEP FOUR/04

While the cabinet is lying in this position, tap the leg plates into the corresponding holes and secure with 2 x 35mm screws through the two holes (on the leg plates) towards the middle of the cabinet only. Wind each of the legs out so that the overall height is 150mm and push the legs into the leg plates.

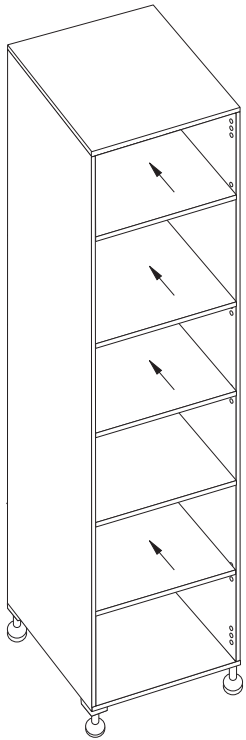


STRATA KITCHENS

HOW TO ASSEMBLE/ STEPS 05-06 OF 06

STEP FIVE/05

Stand the pantry cabinet up carefully. Fit the adjustable shelf supports in to the holes on both sides, at your desired shelf heights. Fit the shelves.



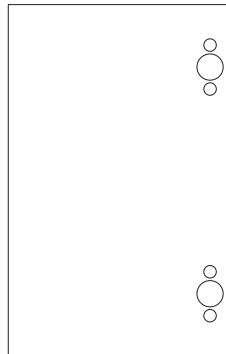
STEP SIX/06

For installation of this cabinet, refer to the Strata Kitchens Installation Guide available online at www.stratakitchens.com.au.

HOW TO MOUNT DOORS/ STEPS 01-06 OF 06

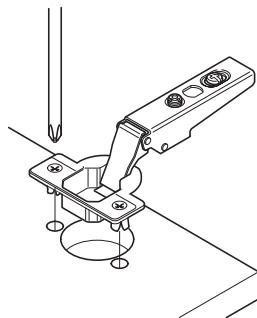
STEP ONE/01

Lay the door onto a solid protected surface, with the routed hinge holes facing upwards.



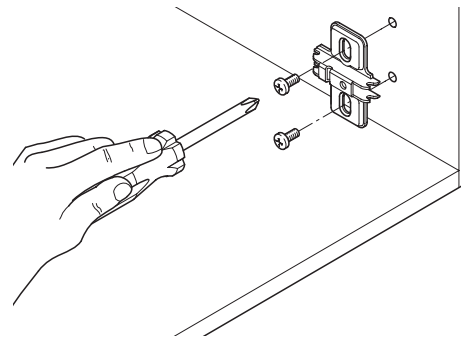
STEP TWO/02

Insert the hinges into the routed holes on the back of the door and fix in place by tightening the hinge screws located either side of the hinge cup. Repeat this step for other doors and hinges, as required.



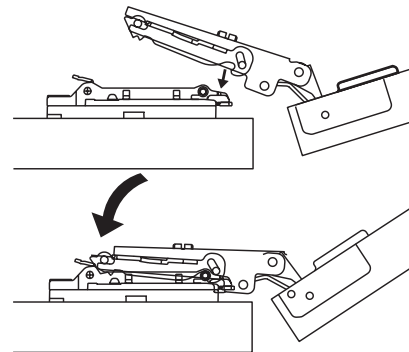
STEP THREE/03

Attach the hinge mounting plate to the inside of the cupboard panel, ensuring that the mounting plate aligns with the hinge placement on the door.



STEP FOUR/04

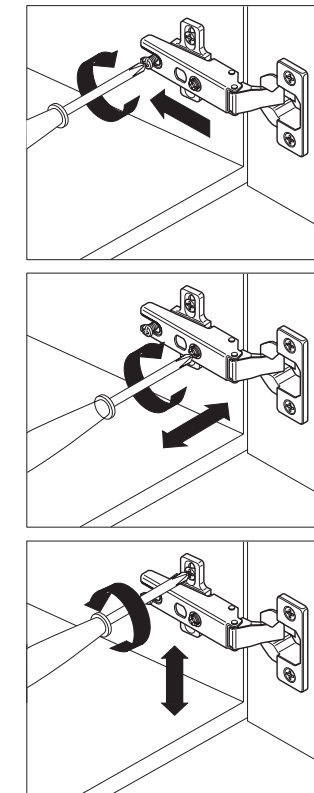
Attach the door to the mounting plate by pressing the hinge arm onto the mounting plate and ensure that the arm clicks into place.



STRATAKITCHENS.COM.AU/ INSTRUCTIONS

STEP FIVE/05

Adjust doors via the hinge arm and plate to obtain correct gaps.



STEP SIX/06

Fix the handle/knob to the door at your desired location. Note: Handles are sold separately.