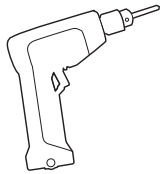


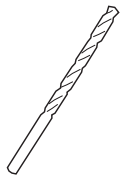
STRATA KITCHENS

TOOLS NEEDED/

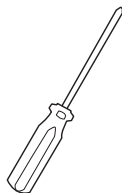
POWER DRILL



3MM DRILL BIT



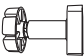




PHILLIPS HEAD SCREW DRIVER



THIS PACK INCLUDES/

PULL-OUT PANTRY TYPE/

	300MM PULL-OUT PANTRY		
 35MM LEG FIX SCREW 50MM CABINET FIX SCREW 28MM HEAD HOLE SCREW 60MM HEAD HOLE SCREW (USED IN THE INSTALLATION) 15MM KICKBOARD SCREW (USED IN THE INSTALLATION)	08 26 08 04 04		
 WHITE COVER CAP (USED IN THE INSTALLATION)	12		
 ADJUSTABLE LEGS	04		
 DOWEL PIECES	08		
 # x 525MM FIXED SHELF # x 540MM TOP # x 540MM BOTTOM # x 2350MM BACK # x 2350MM SIDE	01 01 01 01 02		

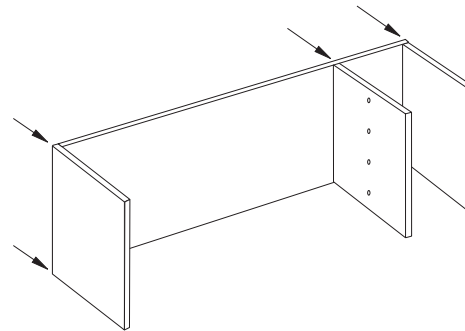
PULL OUT PANTRY CABINET/INSTRUCTIONS

HOW TO ASSEMBLE/ STEPS 01-04 OF 06

STEP ONE/01

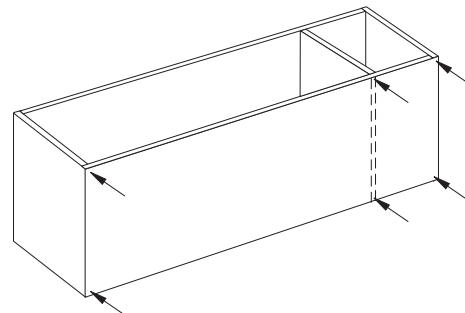
Place side panel on a flat surface and edge strip facing upwards. Join the bottom, fixed shelf and top panels, using the timber dowels and 50mm screws through the corresponding holes.

Note: Bottom panel and shelf have pre-drilled holes that must face each other when fitted, for the Pull Out Pantry runners.



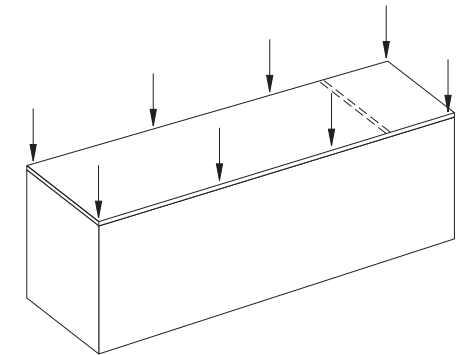
STEP TWO/02

Place the other side panel against the bottom, fixed shelf and top panels, with the adjustable legs facing inwards. Align using the timber dowels and screw fix through the corresponding holes with the 50mm screws.



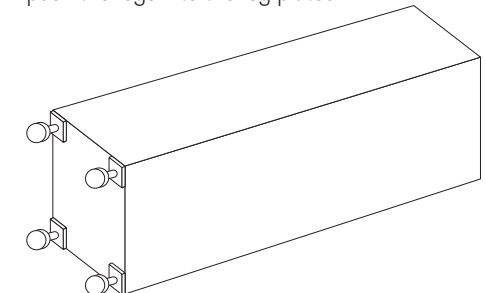
STEP THREE/03

Turn the cabinet over to that the front edge strips are now facing the ground. Place the back panel in place and screw fix through the corresponding holes with 50mm screws.



STEP FOUR/04

While the cabinet is lying in this position, tap the leg plates into the corresponding holes and secure with 2 x 35mm screws through the two holes towards the middle of the cabinet only. Wind each of the legs out so that the overall height is 150mm and push the legs into the leg plates.

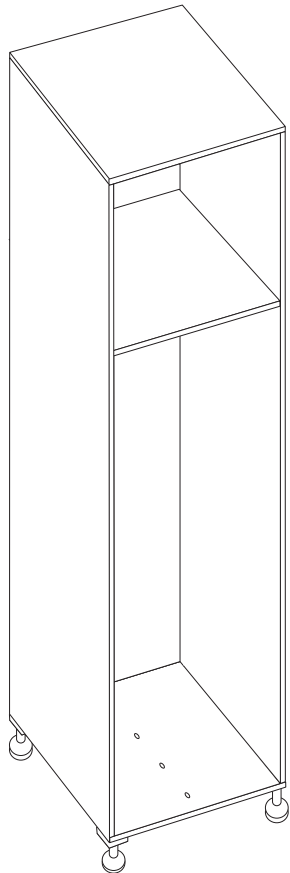


STRATA KITCHENS

HOW TO ASSEMBLE/ STEPS 05-06 OF 06

STEP FIVE/05

Stand the pantry cabinet up carefully. Mount the pull out pantry into the cabinet according to the fitting instructions supplied with the hardware.



STEP SIX/06

For installation of this cabinet, refer to the Strata Kitchens Installation Guide available online at www.stratakitchens.com.au.

HOW TO MOUNT PANTRY DOOR/

STRATAKITCHENS.COM.AU/
INSTRUCTIONS

STEP ONE/01

For mounting the Pull Out Pantry door, please refer to the mounting instructions supplied with the Pull Out Pantry hardware.

Fix the handle to the door at your desired location.
Note: Handles are sold separately.